

Job: \_\_\_\_\_

Item No.: \_\_\_\_\_

Model No.: **PB1500, PB1500T**

## STAINLESS STEEL UTILITY CARTS

PrisonBilt's Extreme Duty® Utility Carts have a 1500-lb. capacity and are designed for rugged correctional facility applications.

### Features & Benefits:

- Square tubing reinforcement under shelves and square tube frame provides model PB1500T's superior strength
- U-shaped body design with angled stainless steel frame gives model PB1500 the Extreme Duty classification
- All stainless steel construction with full bead welding
- No pry points
- Resists staining and rusting, cleans and sanitizes easily
- 1500-lb. (680 kg.) capacity is ideal for 24-hour operations to transport heavy loads over various indoor or outdoor surfaces
- Model PB1500 is NSF listed

### PB1500 Optional Upgrades

- All 5" (127 mm) swivel casters
- Extended perimeter bumper
- Security packages



PB1500



PB1500T

### Warranty:

The PB1500 and PB1500T carry a one-year, on-site parts and labor warranty against any flaws in materials and workmanship. This period begins date of purchase and, provided the unit is used in accordance with instructions, is in full effect for one year from that date. Any work performed under this warranty must be performed between the hours of 8:00 a.m. and 5:00 p.m. local time, Monday through Friday.

Prisonbilt will not pay for overtime charges for work performed other than during normal business hours. Damage incurred in transit or from installation error, accident, alteration or misuse is not covered. Prisonbilt shall not be liable for any consequential, compensatory, incidental, or special damages. Contact the Prisonbilt service department for any warranty claims.

### PRISONBILT

4900 W. Electric Avenue • West Milwaukee, WI 53219  
phone (414) 902-6680 • fax (414) 902-6446  
www.prisonbilt.com

Job: \_\_\_\_\_

Item No.: \_\_\_\_\_

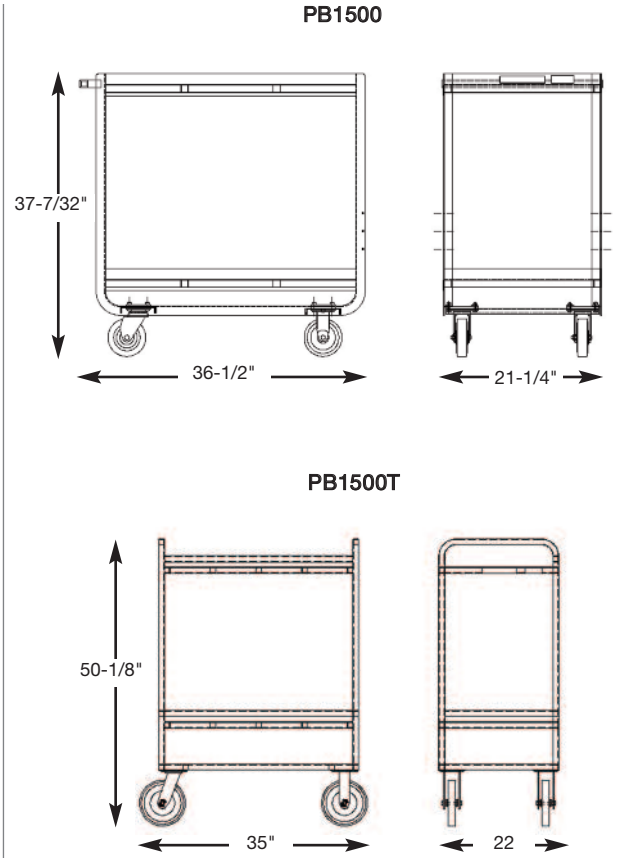
Model No.: **PB1500, PB1500T**

**PB1500T Construction Specifications:**

- **Construction:** Fully-welded stainless steel, free of pry points
- **Legs & Frame:** Inverted U-frame design constructed of .065 wall x 1" x 1" stainless steel square tubing
- **Handles:** Integrated push handles on both ends
- **Shelves:** 14-gauge stainless steel shelves are TIG welded to vertical leg frames. Shelves are reinforced on four sides with .065 wall x 1" x 1" stainless steel square tubing and feature three additional reinforcements of .065 wall 1" x 1" stainless steel square tubing running the depth of the shelves.
- **Casters & Wheels:** Two 8" diameter extra-load swivel and two 8" (203 mm) diameter extra-load fixed casters with 1-1/4" (32 mm) wide non-marking polyurethane wheels

**PB1500 Construction Specifications:**

- **Construction:** Fully-welded stainless steel, free of pry points
- **Legs & Frame:** U-frame design legs and frame eliminates need for corner reinforcements. Leg/frame is constructed of .120 x 1" x 1" angle stainless steel.
- **Handles:** Handle is 18-gauge wall 1" O.D. stainless steel tubing. Handle mounting brackets are continuously TIG welded to vertical leg frame.
- **Shelves:** 14-gauge stainless steel shelves are TIG welded to vertical leg frames. Shelves are reinforced front and back with 18-gauge angle welded to the shelf underside, and feature two additional reinforcements of .065 wall 1" x 1" stainless steel square tubing running the width of the shelves. All shelf reinforcements are TIG welded to underside of shelves.
- **Casters & Wheels:** Two 5" (127 mm) diameter extra-load swivel and two 5" (127 mm) extra-load fixed casters with 1-1/4" wide non-marking polyurethane wheels. Casters are bolted to an 18-gauge 5" (127mm) wide stainless steel cross member with a galvanized reinforcement.
- **Bumpers:** Two bumpers mounted to handle ends and two 6" (203 mm) vertical bumpers riveted to front legs.



Item Number	Shelves	Shelf Description		Overall Size			Case Weight		Case Cube	
		Size	Clearance	W	L	H	Lbs	(Kg)	Cu Ft	(m3)
PB1500T	2	21" x 33"	27"	22"	35"	50-1/8"	117	(53)	22	(.61)
PB1500	2	21" x 33"	24-5/8"	21-1/4"	36-1/2"	37-7/32"	98	(44)	25.6	(.99)

**PRISONBILT**